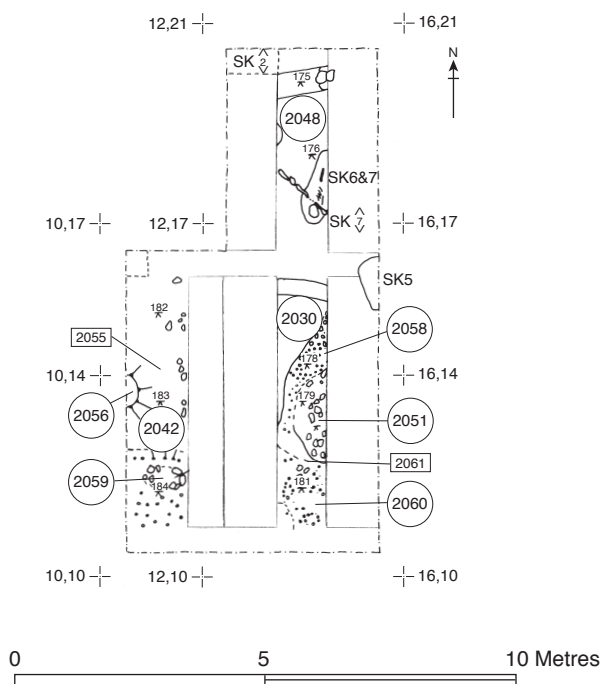
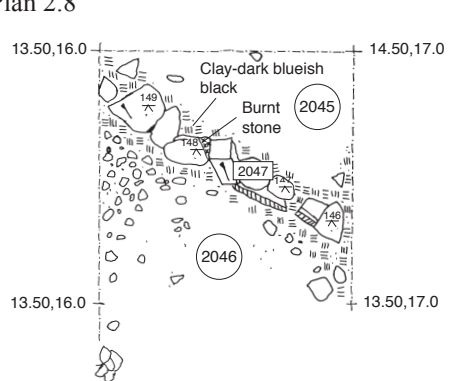


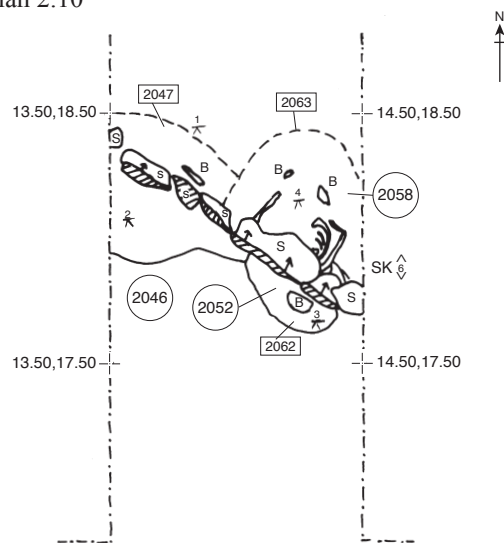
Plan 2.12



Plan 2.8



Plan 2.10



Plan 2.13

