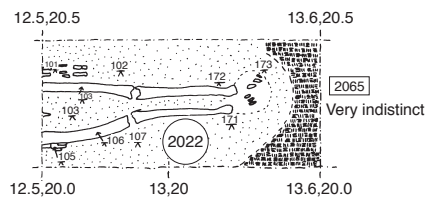
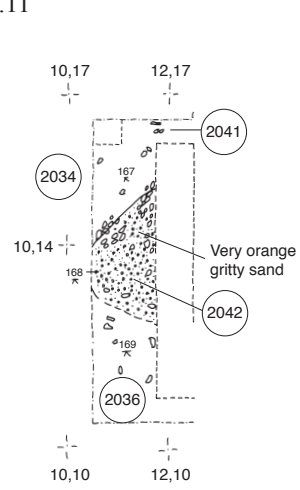


BC11
Trench 2

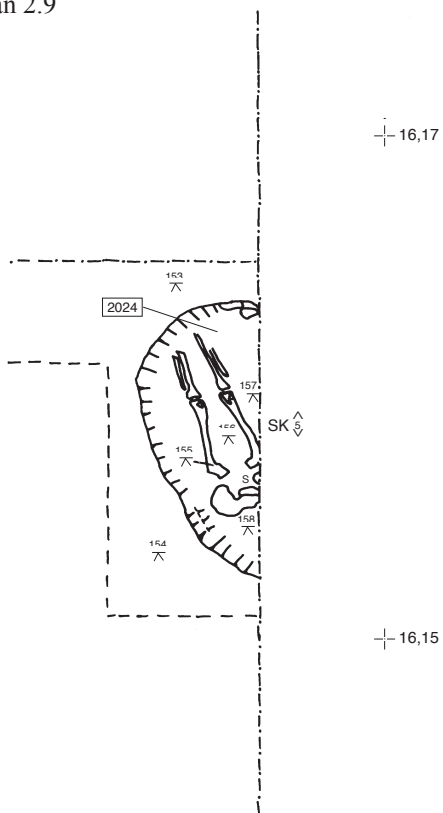
Plan 2.6



Plan 2.11



Plan 2.9



Plan 2.15

